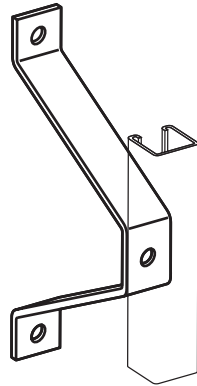


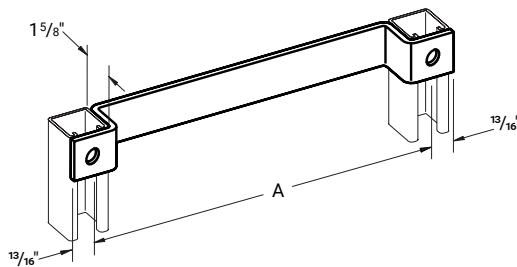
Wall Ladder Bracket Fig. AS 2404



Description

Anvil-Strut Angle Fittings and Connectors are designed to fit with all Anvil-Strut 1⁵/₈" wide channels. Unless otherwise noted, Anvil-Strut Angle Fittings and Connectors are manufactured from 1/4" thick carbon steel, 1⁵/₈" wide, all holes are 9/16" diameter, spaced 1⁷/₈" on center and 1³/₁₆" from the end.

Ladder Rung



AS 2401	GR, HG	Catalog Number	A	Wt./100 Pcs.
AS 2402	GR, HG	AS 2401	12"	170
AS 2403	GR, HG	AS 2402	15"	202
		AS 2403	18"	234

Std Pkg 25 - Wt/100 pcs: 78 Lbs.

Std Pkg 20 - Wt/100 pcs.: See chart above.

Page notes unless otherwise specified: 1/4" thick, 1⁵/₈" wide, holes 9/16" diameter, spaced 1⁷/₈" on center and 1³/₁₆" from end.

LEGEND:

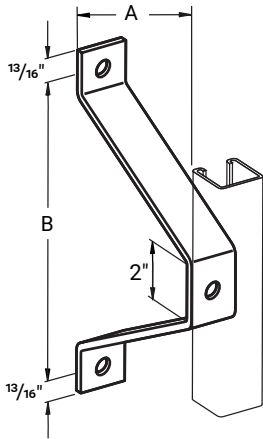
GR: Powder Coated Supr-Green **EG:** Electro-Galvanized **PG:** Pre-Galvanized **AL:** Aluminum
HG: Hot Dipped Galvanized **PL:** Plain **SS:** Stainless Steel **ZTC:** Zinc Trivalent Chromium
 Stainless Steel (SS), Zinc Trivalent Chromium (ZTC) and Hot Dipped Galvanized (HG) are specialty finishes.
 Pricing is located in the Specialty Strut Section of the Anvil-Strut price book.



PROJECT INFORMATION	APPROVAL STAMP
Project:	Approved
Address:	Approved as noted
Contractor:	Not approved
Engineer:	Remarks:
Submittal Date:	
Notes 1:	
Notes 2:	

Wall Ladder Bracket Fig. AS 2404

Wall Ladder Bracket

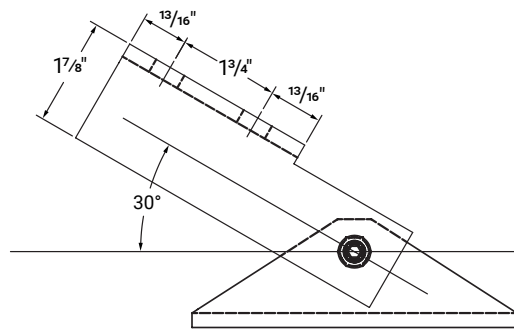
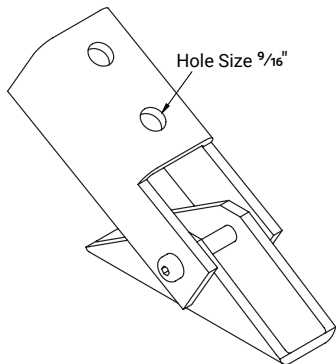


AS 2404	GR, HG
AS 2405	GR, HG
AS 2406	GR, HG
AS 2407	GR, HG
AS 2408	GR, HG

Catalog Number	A	B	Wt./100 Pcs.
AS 2404	2 ³ / ₈ "	6"	110
AS 2405	4 ³ / ₈ "	8"	164
AS 2406	6 ³ / ₈ "	10"	200
AS 2407	8 ³ / ₈ "	12"	253
AS 2408	10 ³ / ₈ "	14"	328

Std Pkg 10 – Wt/100 pcs.. See chart above.

Adjustable Bases



AS 9400	GR, HG
AS 9401	GR, HG

Catalog Number	Description	Std. Pkg.	Wt./100 Pcs.
AS 9400	Adjustable Base	10	307
AS 9401	Double Adjustable Base	5	497

Std Pkg 25 – Wt/100 pcs: See chart above.

LEGEND:

GR: Powder Coated Supr-Green **EG:** Electro-Galvanized **PG:** Pre-Galvanized **AL:** Aluminum
HG: Hot Dipped Galvanized **PL:** Plain **SS:** Stainless Steel **ZTC:** Zinc Trivalent Chromium
 Stainless Steel (SS), Zinc Trivalent Chromium (ZTC) and Hot Dipped Galvanized (HG) are specialty finishes.
 Pricing is located in the Specialty Strut Section of the Anvil-Strut price book.